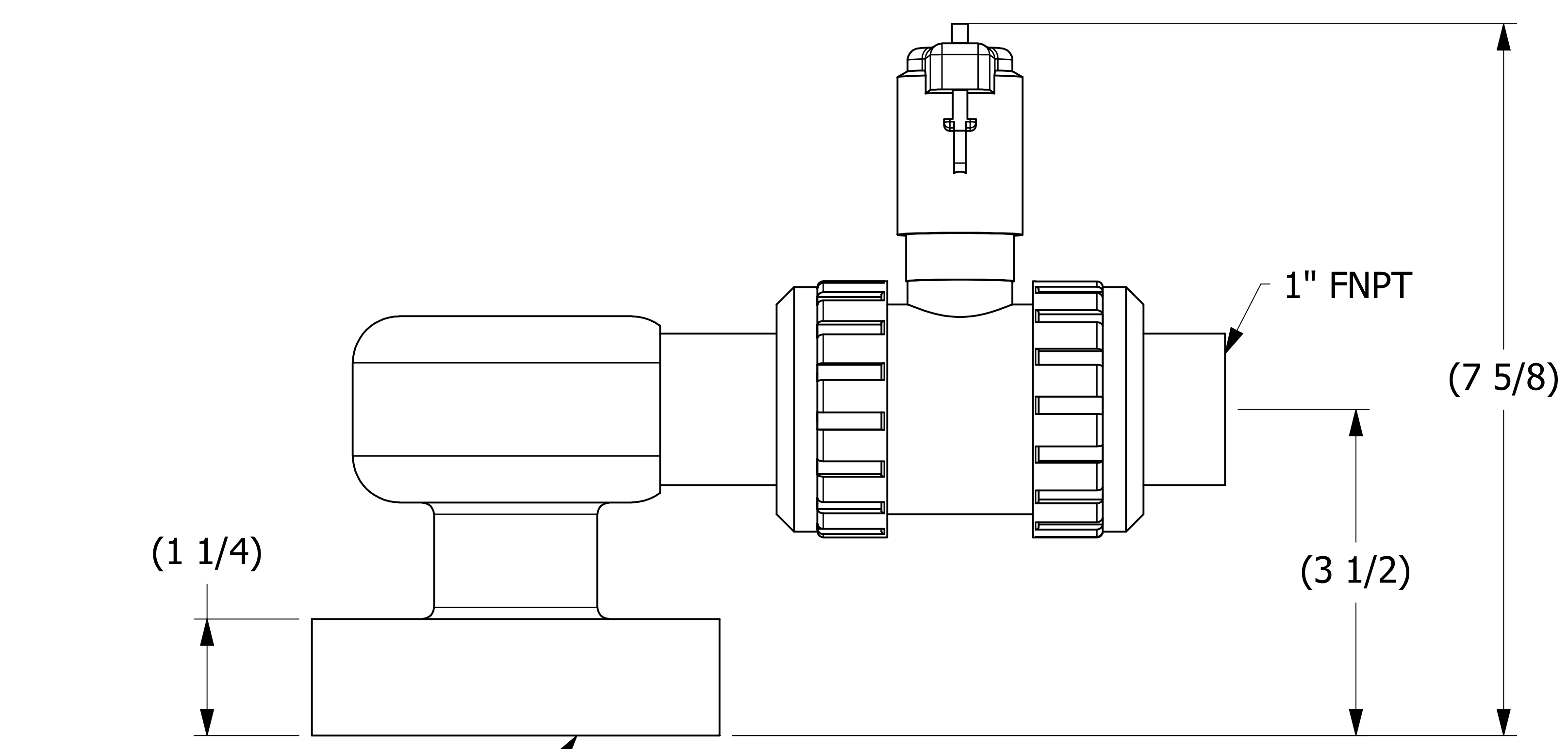
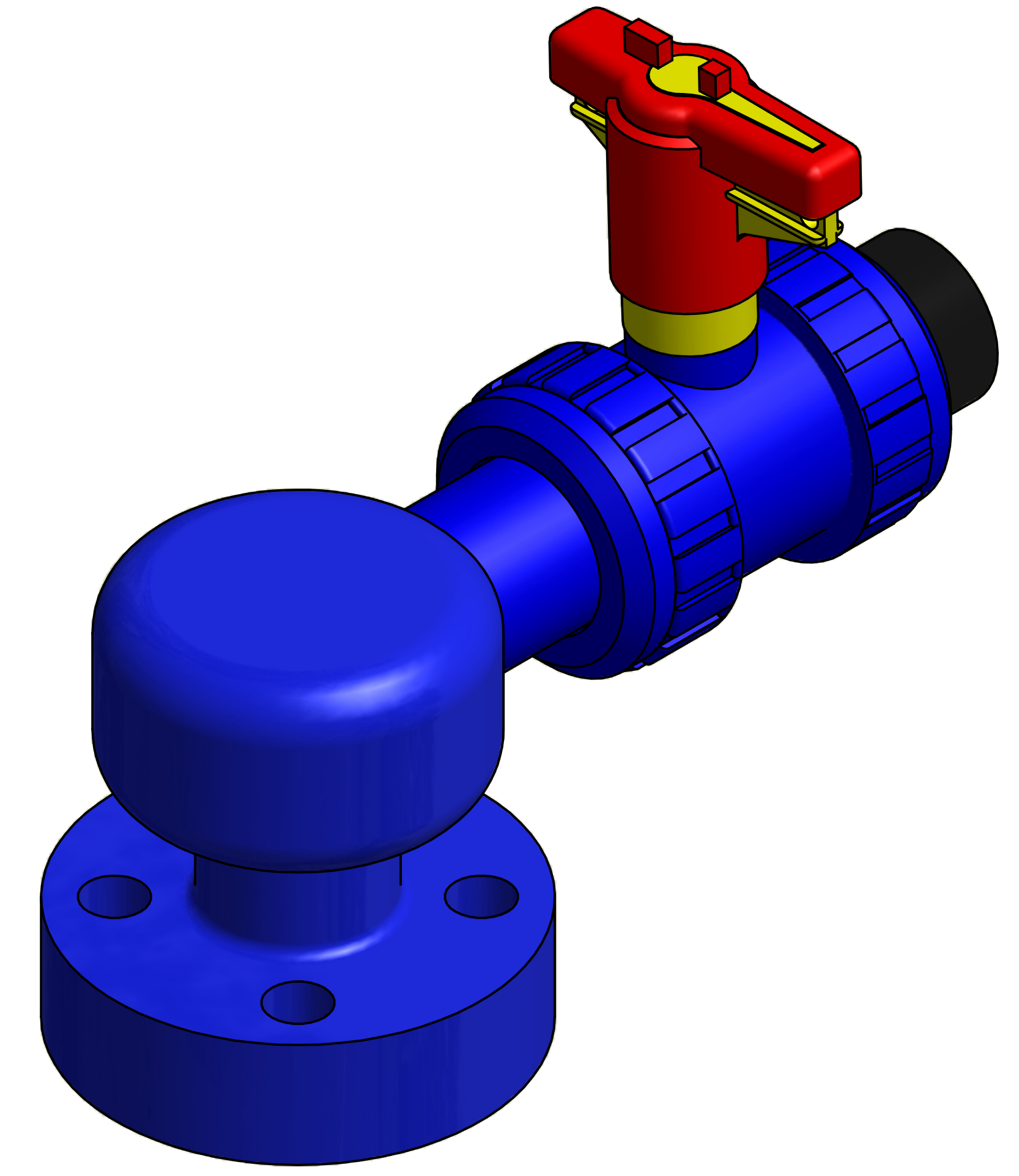


SALES DRAWING

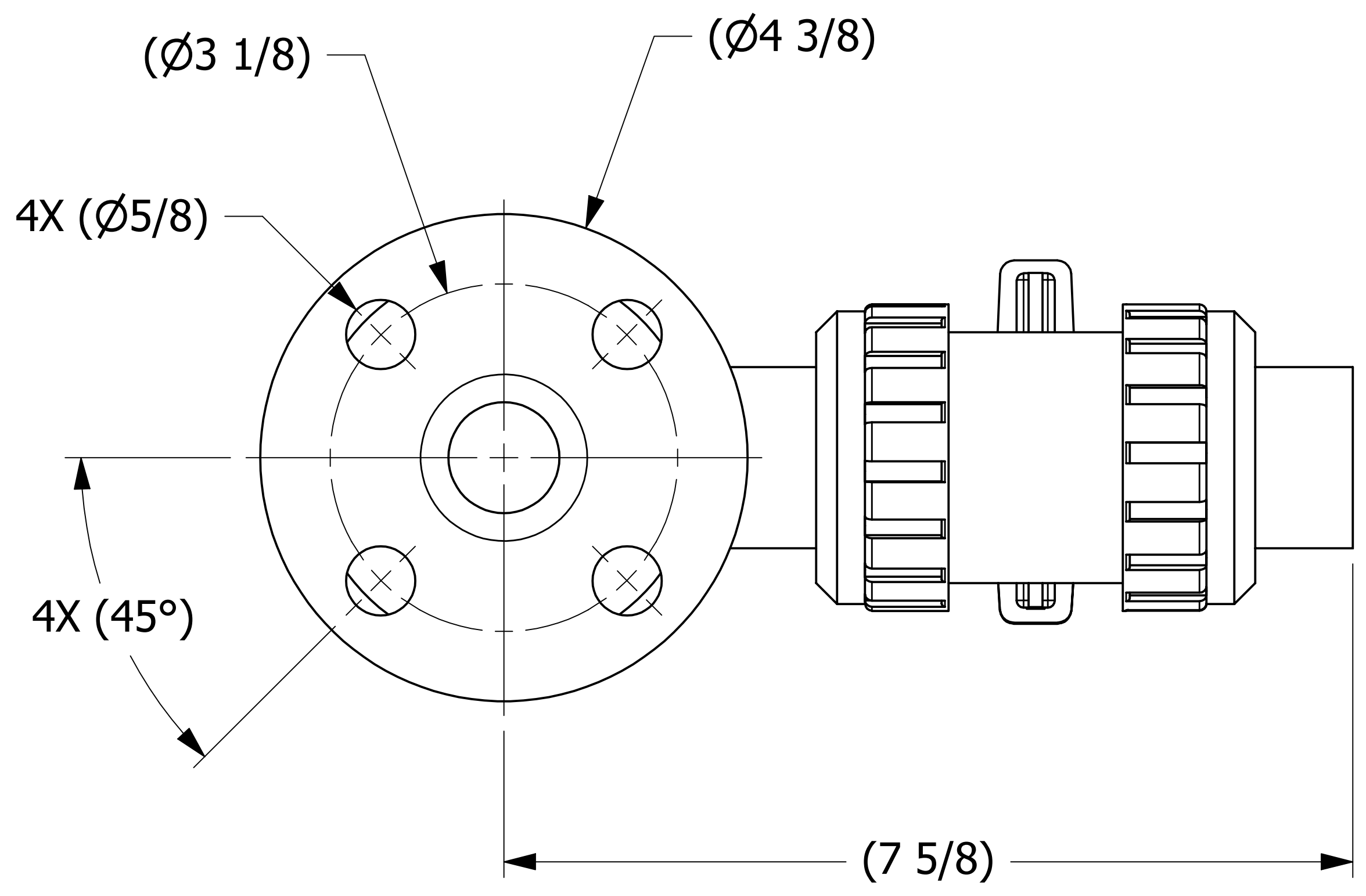
SALES DRAWING



SERRATED GASKET SURFACE



ISOMETRIC VIEW



UNLESS OTHERWISE SPECIFIED
DIMENSIONAL TOLERANCES

FRACTIONAL: ±1/16
X.XX: ±.03
X.XXX: ±.015
ANGULAR: ±1°

DEBURR ALL SHARP EDGES.
ALL MACHINED SURFACES TO
HAVE A 125 RMS FINISH
UNLESS NOTED OTHERWISE.

THIRD ANGLE PROJECTION

DRAWN BY:	JG
CHECKED BY:	CHL
PROTOTYPE BY:	JG
PROTOTYPE DATE:	8/26/2014
APPROVED FOR PRODUCTION BY:	CHL
PRODUCTION DATE:	9/10/2014

D	JG	9-10-14	RELEASED FOR PRODUCTION
REV	BY	DATE	DESCRIPTION
SALCO PRODUCTS, INC.			
PART NAME: AIR VALVE ASSEMBLY 1"X90°			
MATERIAL: SALCO PE			
PROJECT #:	130730	SHEET #:	1 OF 1
DRAWING #:		PART #:	SCALE: 1:1
D39851		HSAVA39851	

THIS PRINT, PROPERTY OF SALCO PRODUCTS INC. CONTAINS PROPRIETARY INFORMATION AND MUST NOT BE COPIED, REPRODUCED, OR USED DETRIMENTALLY TO OUR INTEREST.